

1 2 3 4 5 6 7 8

A

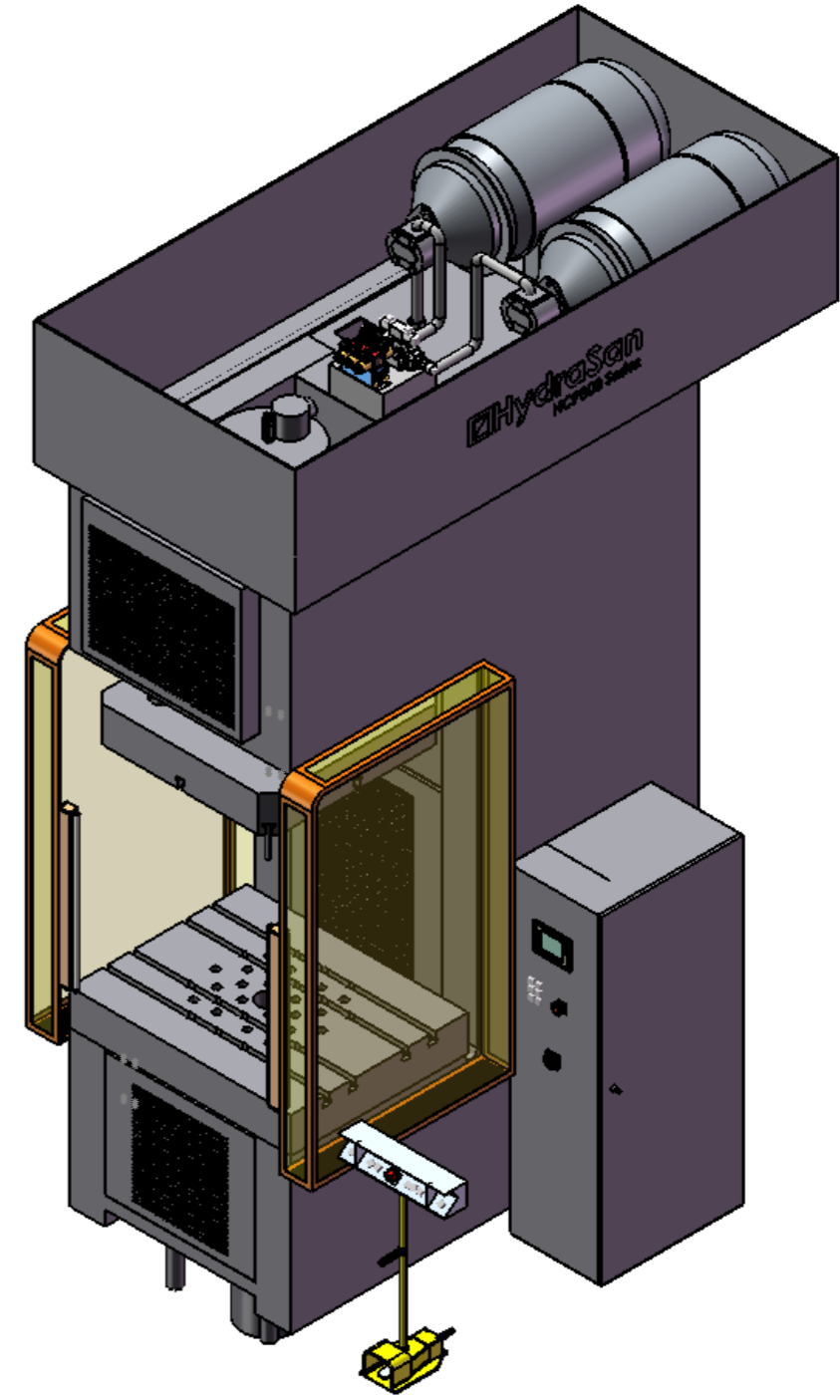
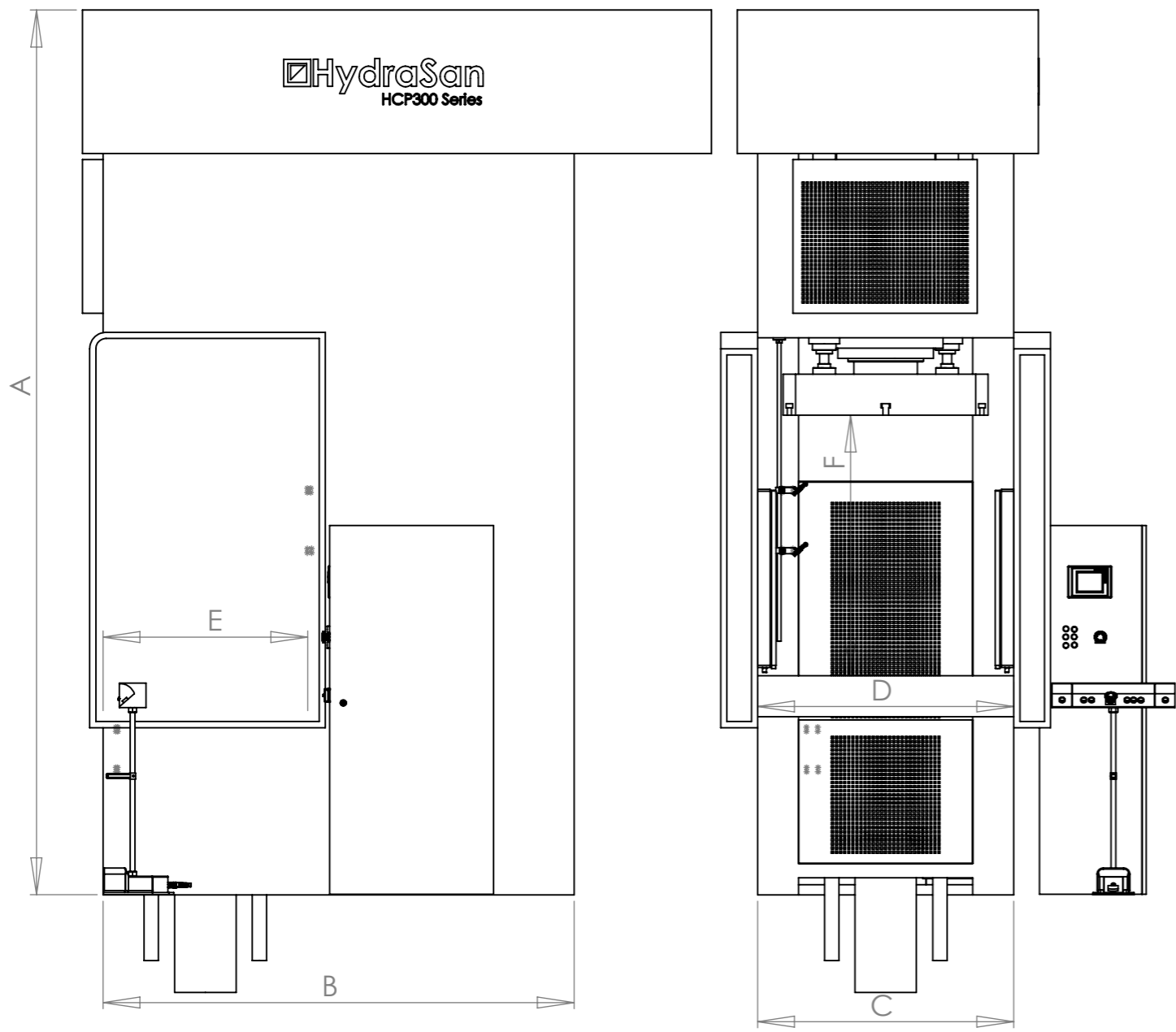
B

C

D

E

F



UNLESS OTHERWISE SPECIFIED: DIMENSIONS ARE IN MILLIMETERS SURFACE FINISH: TOLERANCES: LINEAR: ANGULAR:				FINISH:	DEBUR AND BREAK SHARP EDGES	DO NOT SCALE DRAWING	REVISION
						HydraSan	
						HCP800	
						DWG NO.	press 250t-1
						SCALE:1:50	SHEET 1 OF 1
DRAWN				NAME		TITLE:	
CHK'D				SIGNATURE		A3	
APPV'D				DATE			
MFG							
Q.A				MATERIAL:			
				WEIGHT:			